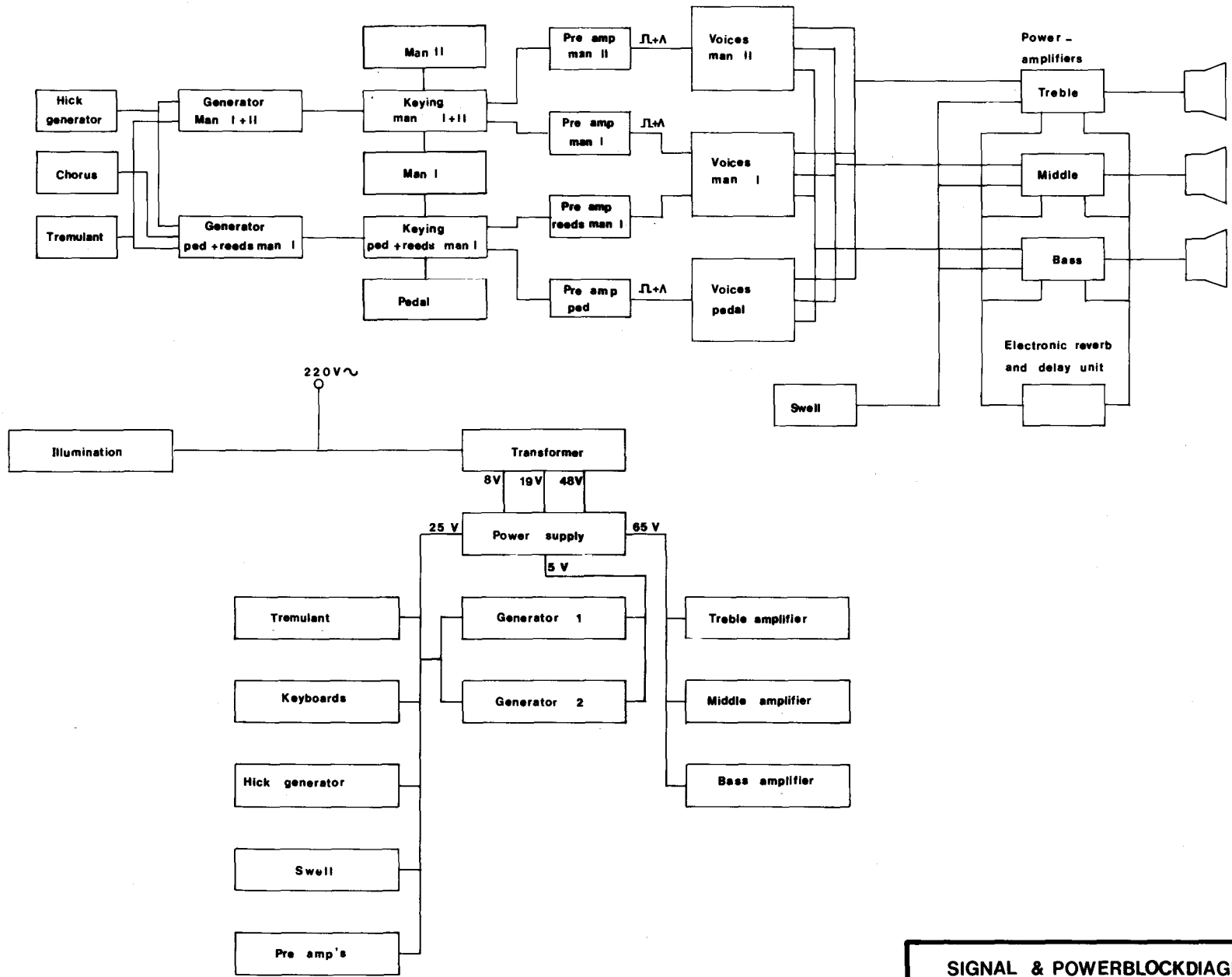


=====
= S C H E M A T I C D I A G R A M S =
= J O H A N N U S =
= O P U S 1 5 N =
= a l t e r a t i o n s r e s e r v e d =

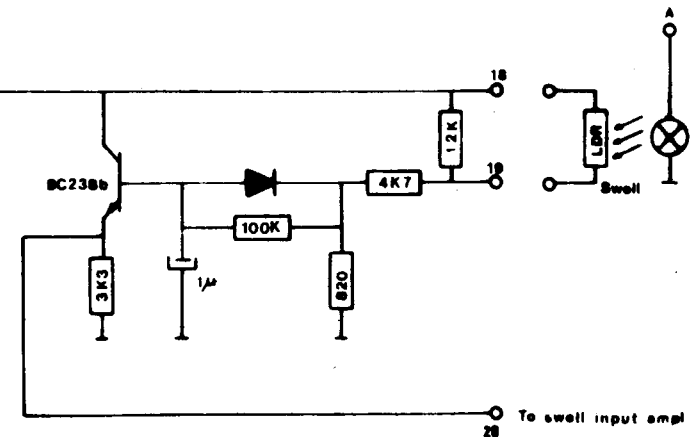
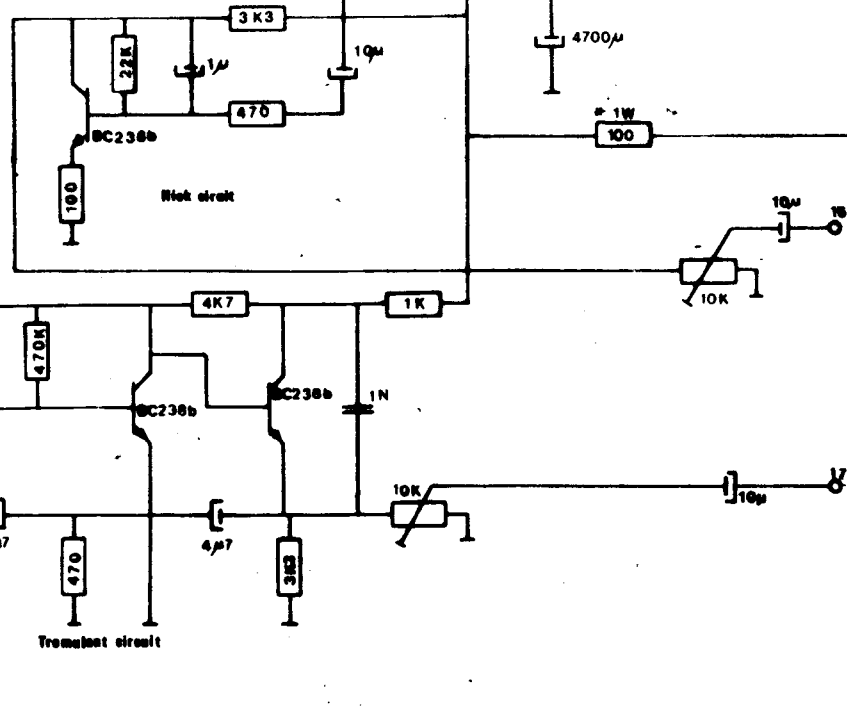
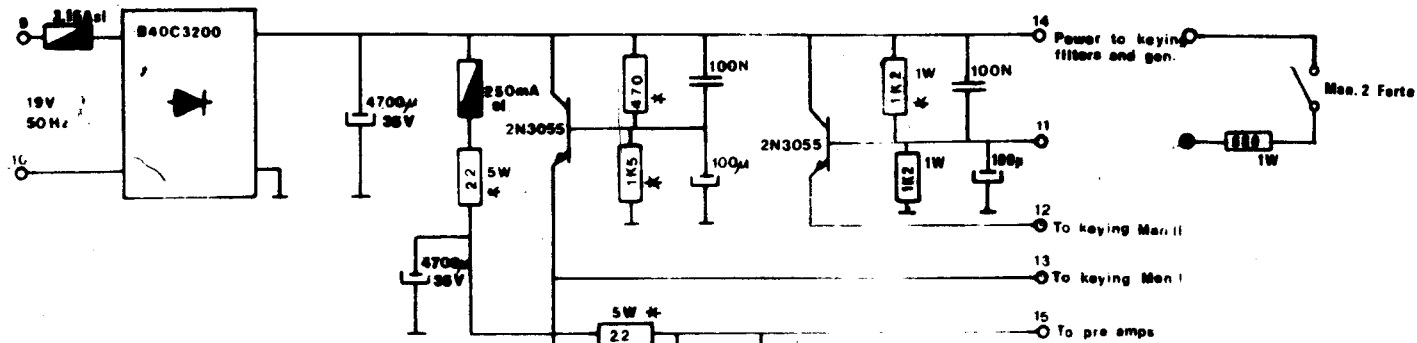
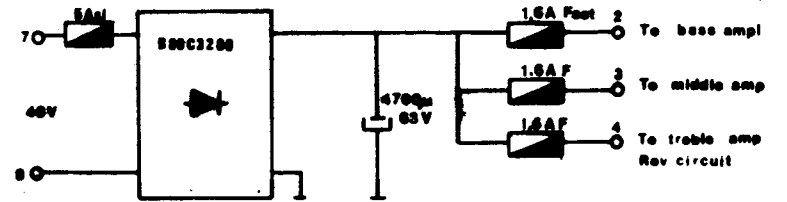
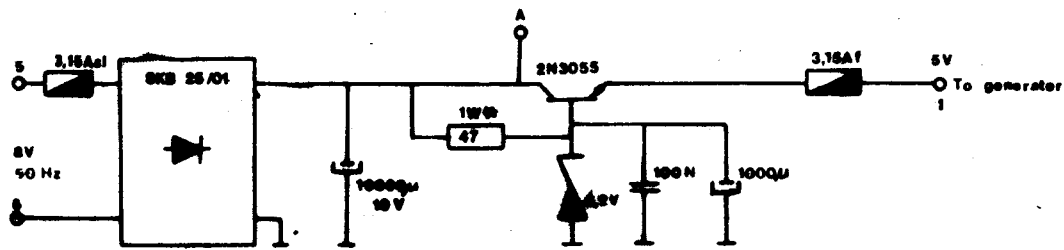
OPUS 15N

=====

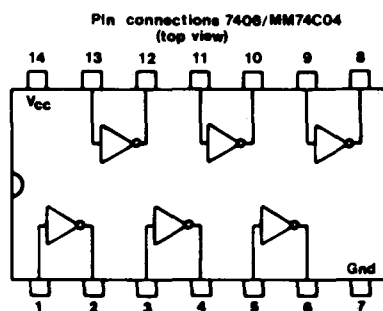
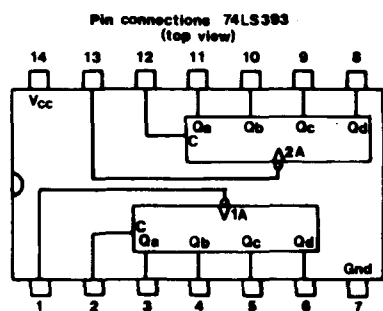
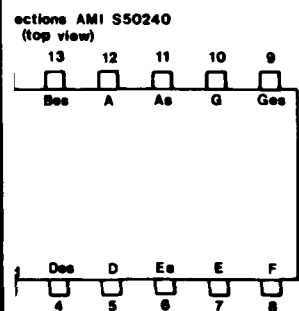
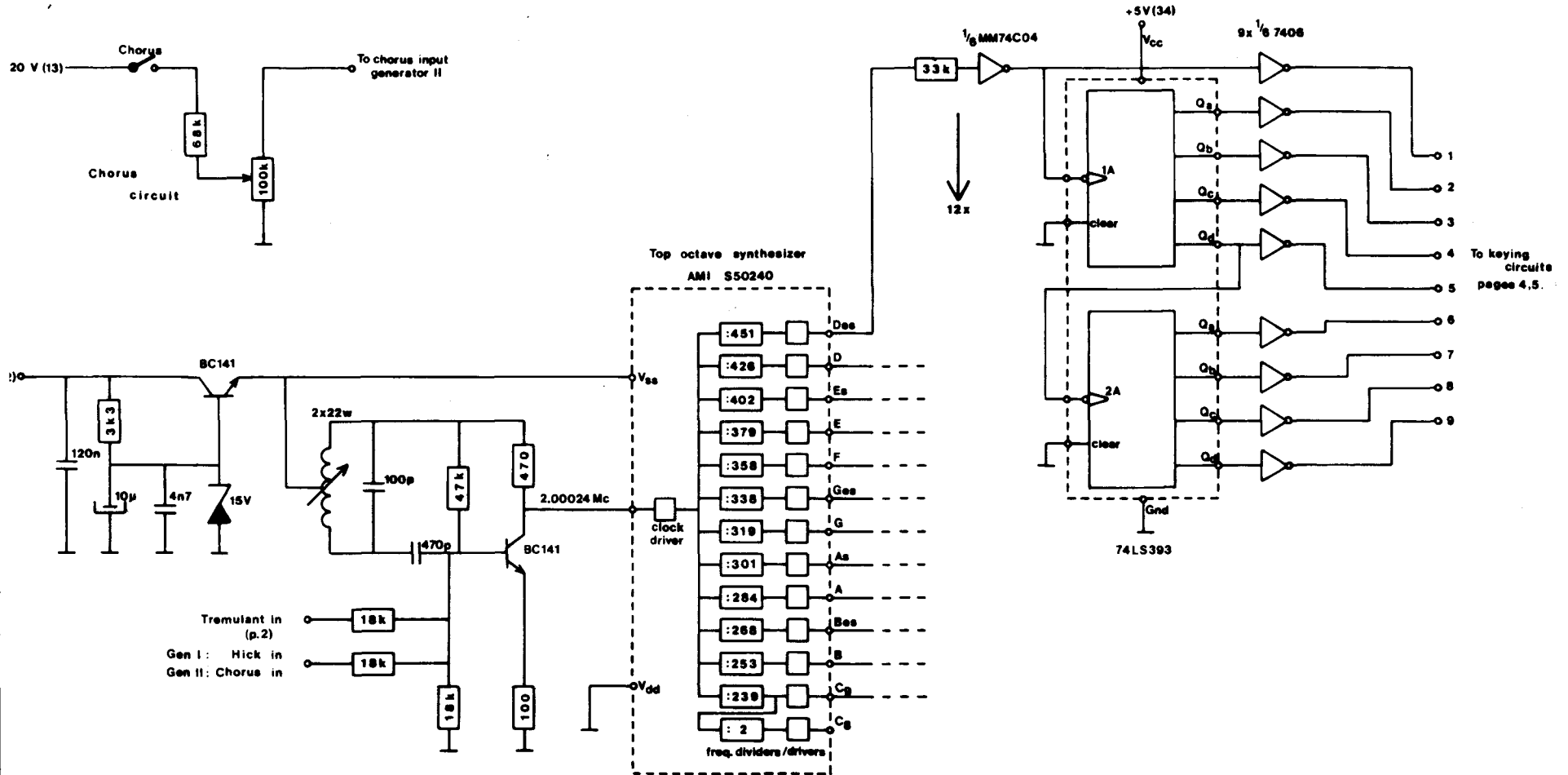
1	Signal & powerblockdiagram
2	Power supply
3	Tone generator
4	Keying man I & II
5	Keying pedal & reeds man I
6	Keyboard switches & coupler system
7	Pre amp man I
8	Pre amp reed man I
9	Pre amps man II
10	Pre amp reeds man II
11	Pre amps pedal
12	Voicing Circuit and Pre Sets Pedal and Manual I
13	Voicing Circuit and Pre Sets Manual I
14	Voicing Circuit and Pre Sets Manual II
15	Echo unit
16	Control circuit of echo unit
17	Ampl. Circuit
18	Preset and coupler system
19	Speakerconnection & main supply
20	Controls
21	Controls electronic delayline
22	Headphones connections



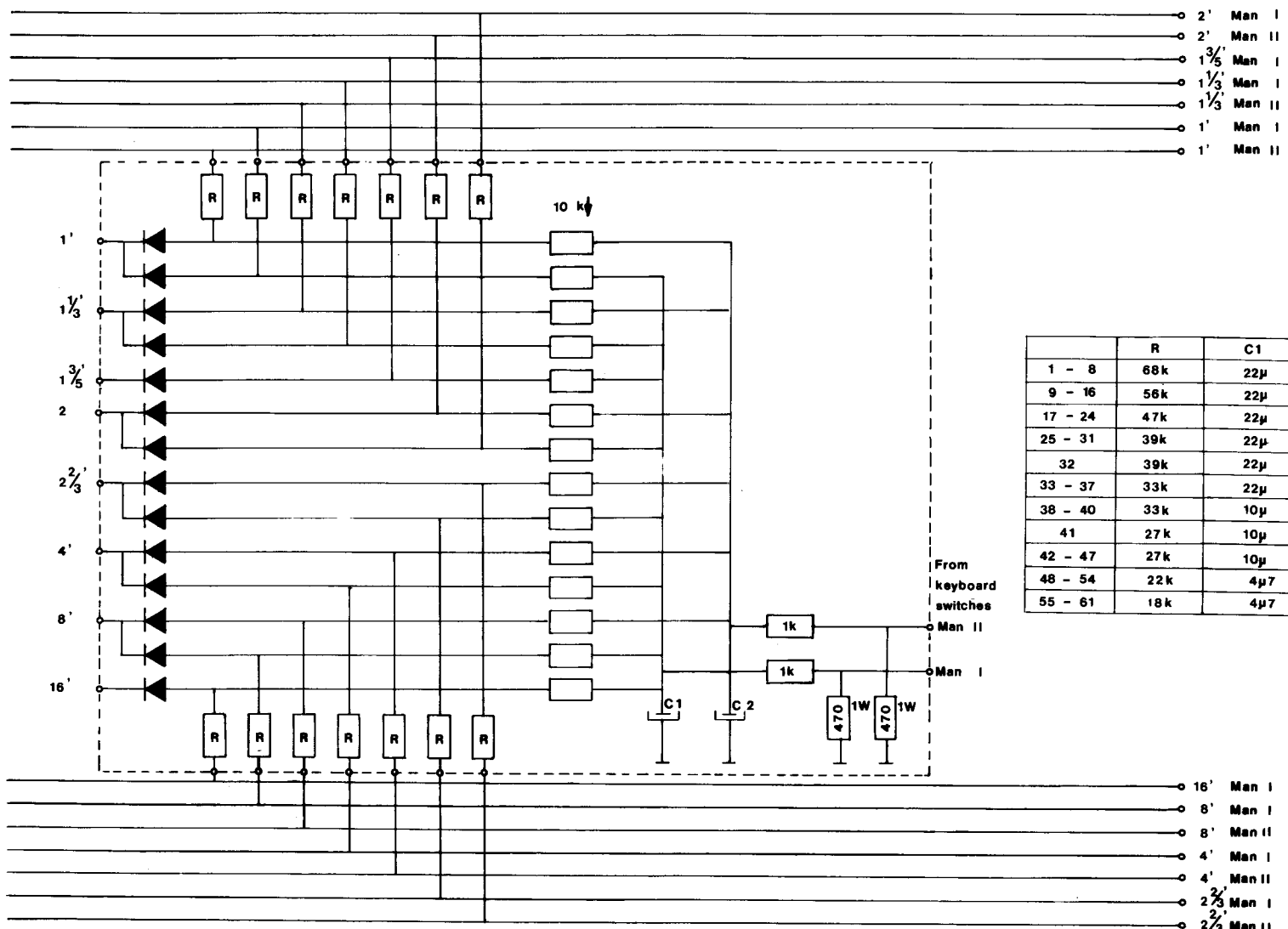
SIGNAL & POWERBLOCKDIAGRAM			
Drawn	Date	Modified	Date
J Versteegt	1-9-80		
DESIGN			
J VERSTEEGT			
copyright:	JOHANNUS ORGELBOUW b.v.		page: 1
	morsestraat 28 6716 AH EDE HOLLAND Tel. 08380-19148*		



POWER SUPPLY				JOHANNUS ORGAN OPUS 15N
Drawn	Date	Modified	Date	
B.J.PETERS	10-2-78	F.K.Blaasop	16-4-88	HOLLAND
DESIGN				
copyright:				HOLLAND
J. VERSTEEGT				



TONE GENERATOR					
Drawn	Date	Modified	Date	JOHANNUS ORGAN OPUS 15 n	
F.K.Bischoop	23-4-'80				
DESIGN					
J.Versteegt					
copyright:	J. VERSTEEGT	JOHANNUS ORGELBOUW b.v.	morsestraat 28 6716 AH EDE HOLLAND Tel. 08380-19148	page:	3



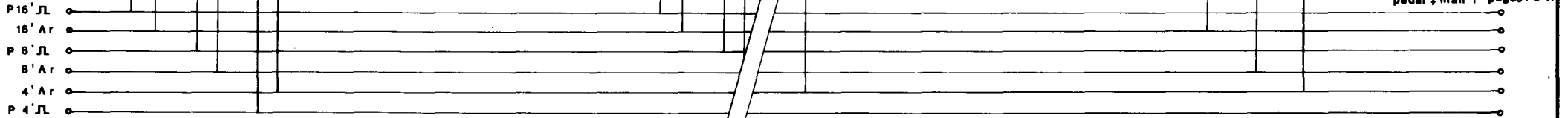
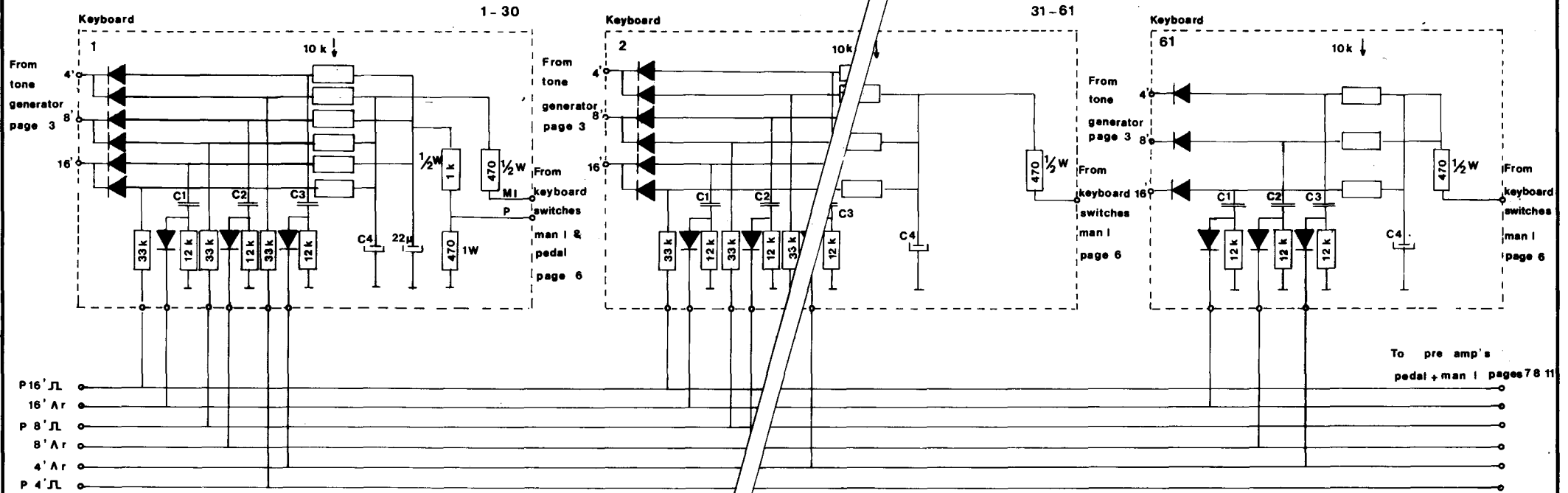
BASS	MIDDLE	TREBLE
1 - 14	15 - 45	46 - 61
1 - 24	25 - 45	46 - 61
1 - 17	18 - 42	43 - 61
1 - 17	18 - 49	50 - 61
1 - 16	17 - 49	47 - 61
1 - 19	20 - 38	39 - 61
1 - 17	18 - 35	36 - 61

	R	C1	C2
1 - 8	68k	22μ	22μ
9 - 16	56k	22μ	22μ
17 - 24	47k	22μ	22μ
25 - 31	39k	22μ	22μ
32	39k	22μ	22μ
33 - 37	33k	22μ	10μ
38 - 40	33k	10μ	10μ
41	27k	10μ	10μ
42 - 47	27k	10μ	4μ7
48 - 54	22k	4μ7	4μ7
55 - 61	18k	4μ7	4μ7

BASS	MIDDLE	TREBLE
1 - 25	26 - 42	43 - 61
1 - 22	23 - 44	45 - 61
1 - 22	23 - 43	44 - 61
1 - 22	23 - 43	44 - 61
1 - 22	23 - 46	47 - 61
1 - 23	24 - 44	45 - 61
1 - 23	24 - 45	46 - 61

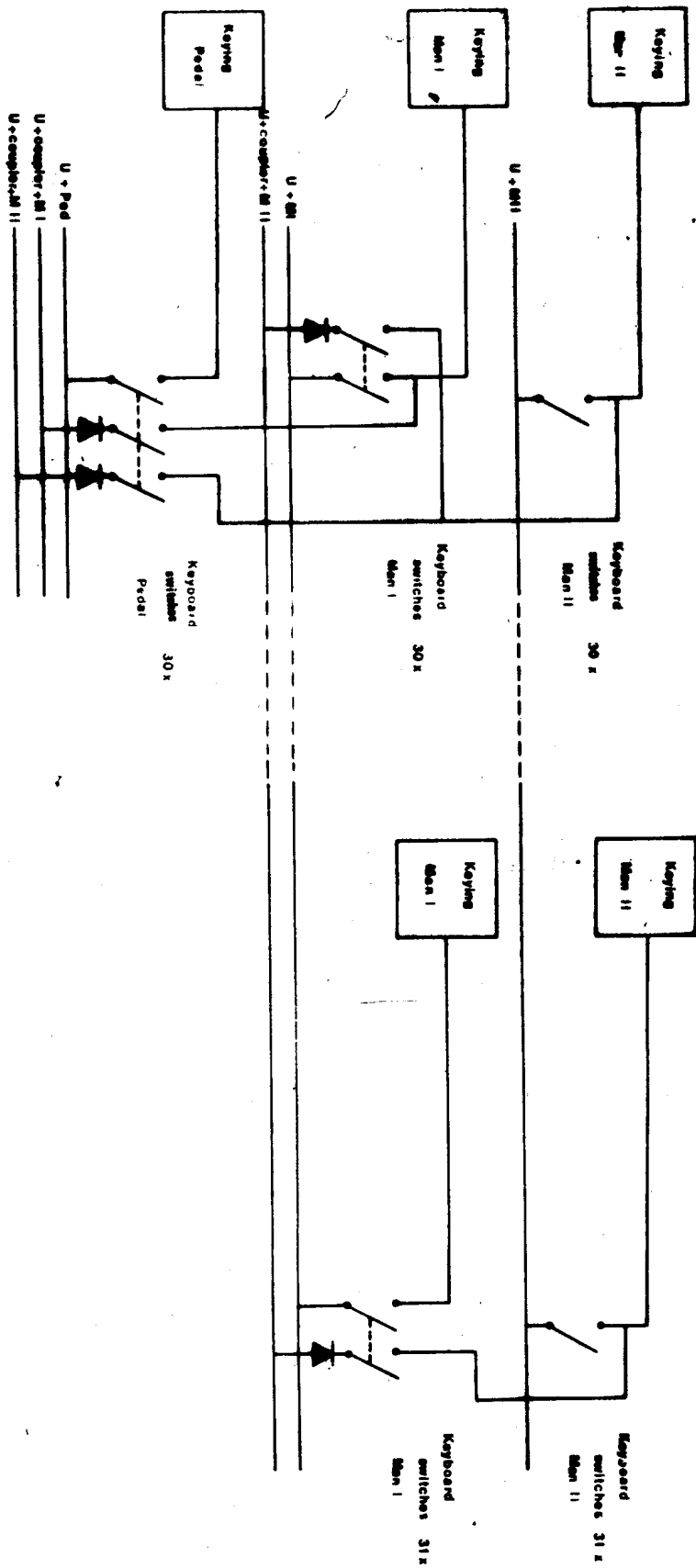
KEYING MAN I & II				JOHANNUS ORGAN OPUS 15 N	page: 4
Drawn	Date	Modified	Date		
J Versteegt	5-9-80				
DESIGN					
J VERSTEEGT					
copyright: J. VERSTEEGT		JOHANNUS ORGELBOUW b.v.		morsestraat 28 6716 AH EDE HOLLAND Tel. 08380-19148*	

	C1-C2	C3	C4
1 - 12	33 n	22 n	4μ7
13 - 24	22 n	15 n	4μ7
25	15 n	10 n	4μ7
26 - 36	15 n	10 n	2μ2
37 - 48	10 n	6 n8	2μ2
49 - 50	6 n8	1 n8	2μ2
51 - 61	6 n8	1 n8	1μ



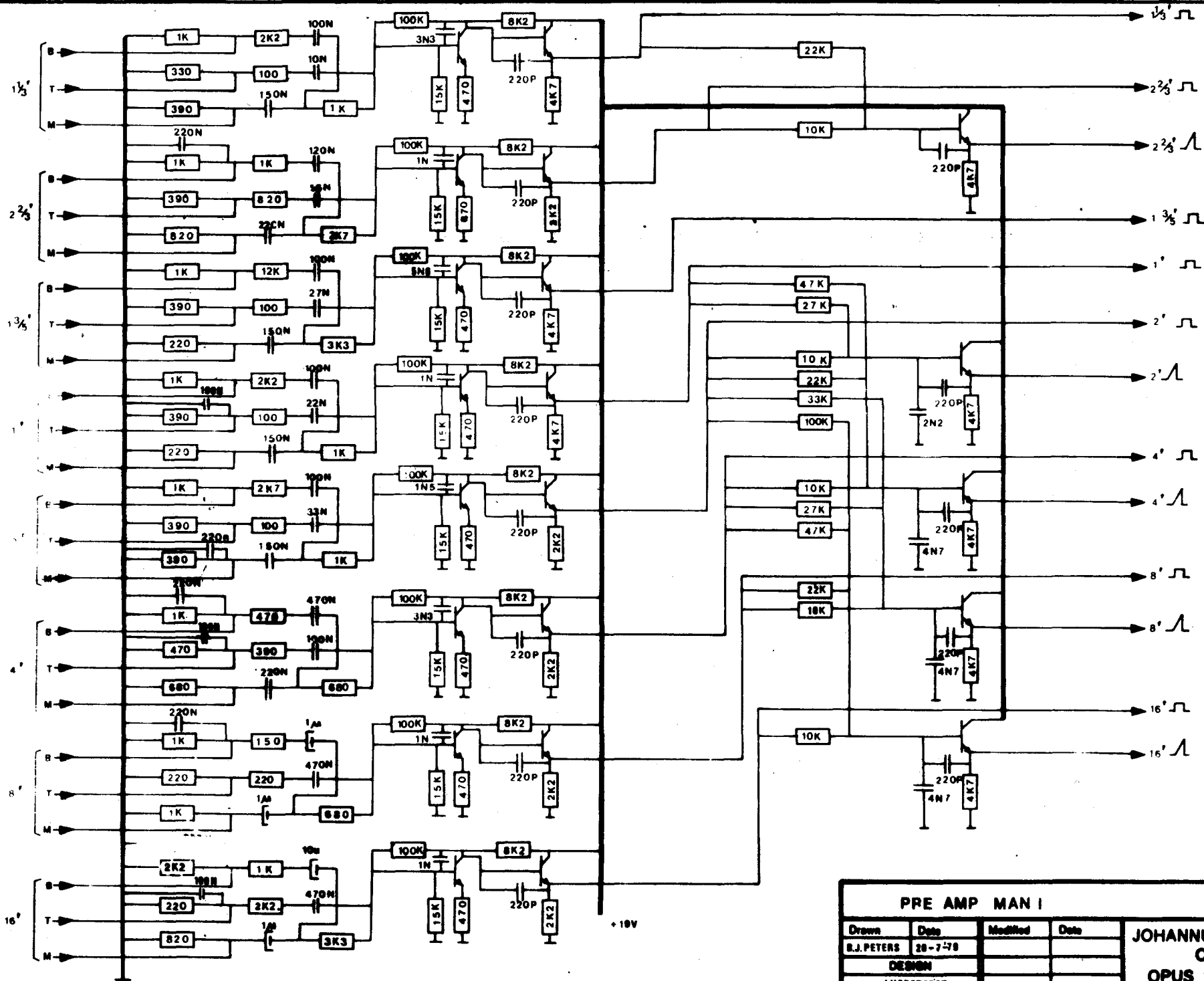
1 - 30				
1 - 12	13 - 24	25 - 36	37 - 48	49 - 61
1 - 30				
1 - 12	13 - 24	25 - 36	37 - 48	49 - 61
1 - 12	13 - 24	25 - 36	37 - 48	49 - 61
1 - 30				

KEYING PEDAL & REEDS MAN I				
Drawn	Date	Modified	Date	JOHANNUS ORGAN OPUS 15 N
J Versteegt	3 - 9 - 80			
DESIGN				
J VERSTEEGT				
copyright:	JOHANNUS	morsestraat 28		page: 5
J. VERSTEEGT	ORGELBOUW b.v.	6716 AH EDE HOLLAND Tel. 08380-19148		



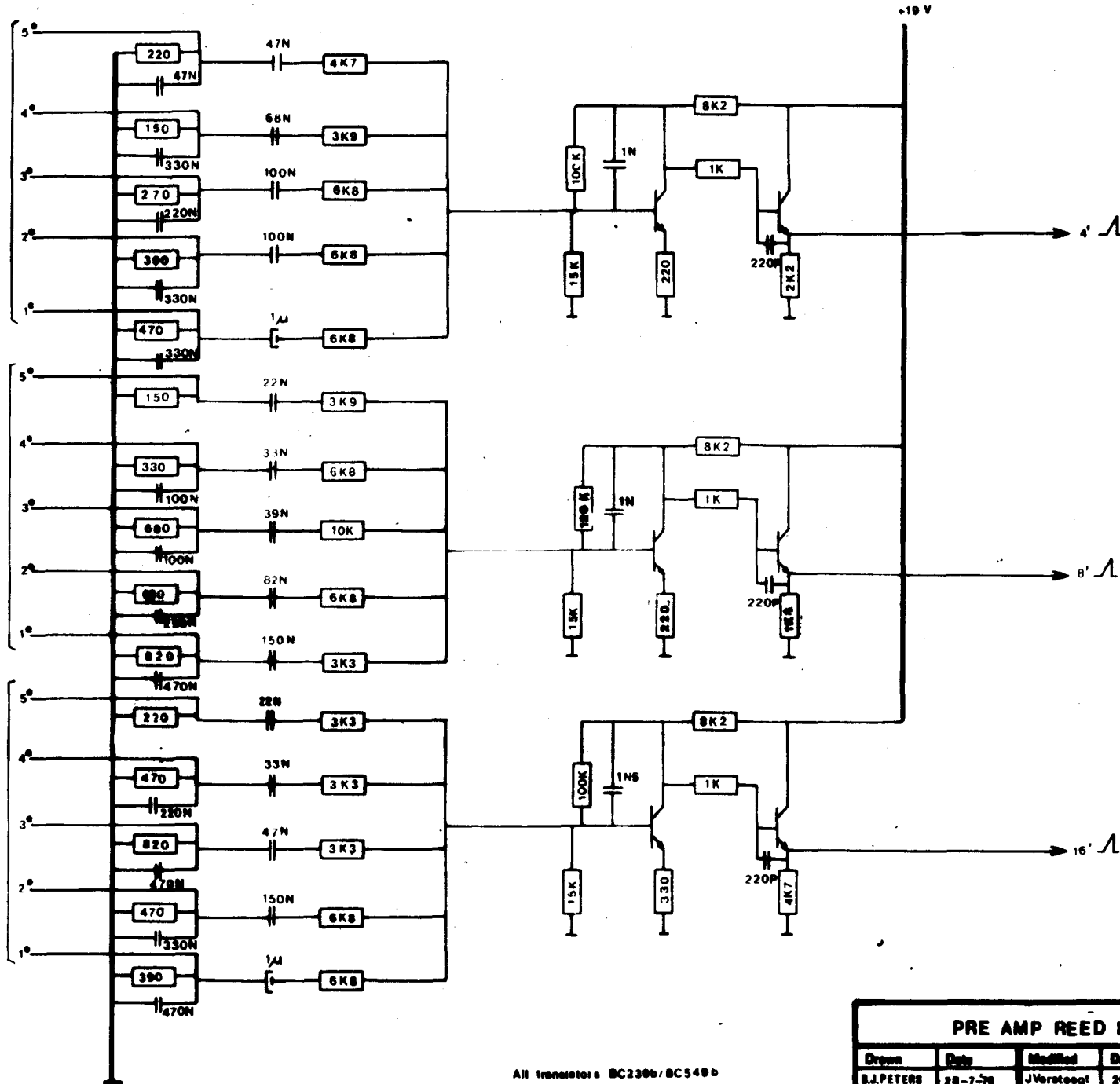
KEYBOARD SWITCHES & COUPLER SYSTEM

Design	Date	Revised	Drawn	JOHANNUS ORGAN OPUS 15N
E.PETERS	10-2-78			
DESIGN				
J. VERSTEEG				
Copyright:	JOHANNUS ORGANbouw b.v.			1978
J. VERSTEEG	14, BARKERWEG			



All transistors BC239B/BC849B

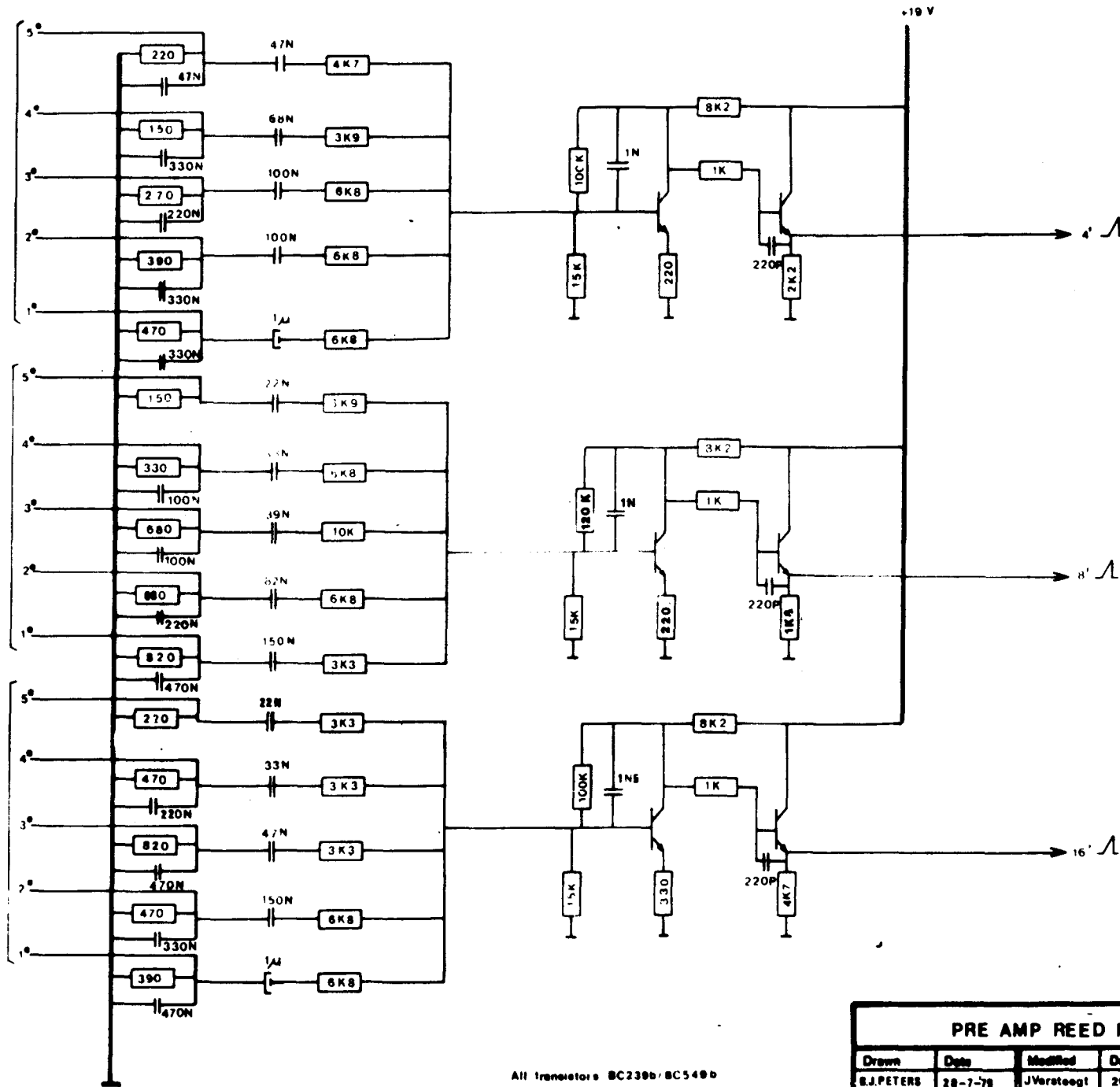
PRE AMP MAN I				JOHANNUS ORGAN OPUS 15N	
Drawn	Date	Modified	Date		
B.J. PETERS	28-7-78			DESIGN J. VERSTEEGT	
copyright: J. VERSTEEGT					
JOHANNUS ORGELBOUW b.v.		8718 AM EDE HOLLAND Tel. 06300-10148		page: 7	



All transistors BC239b/BC549b

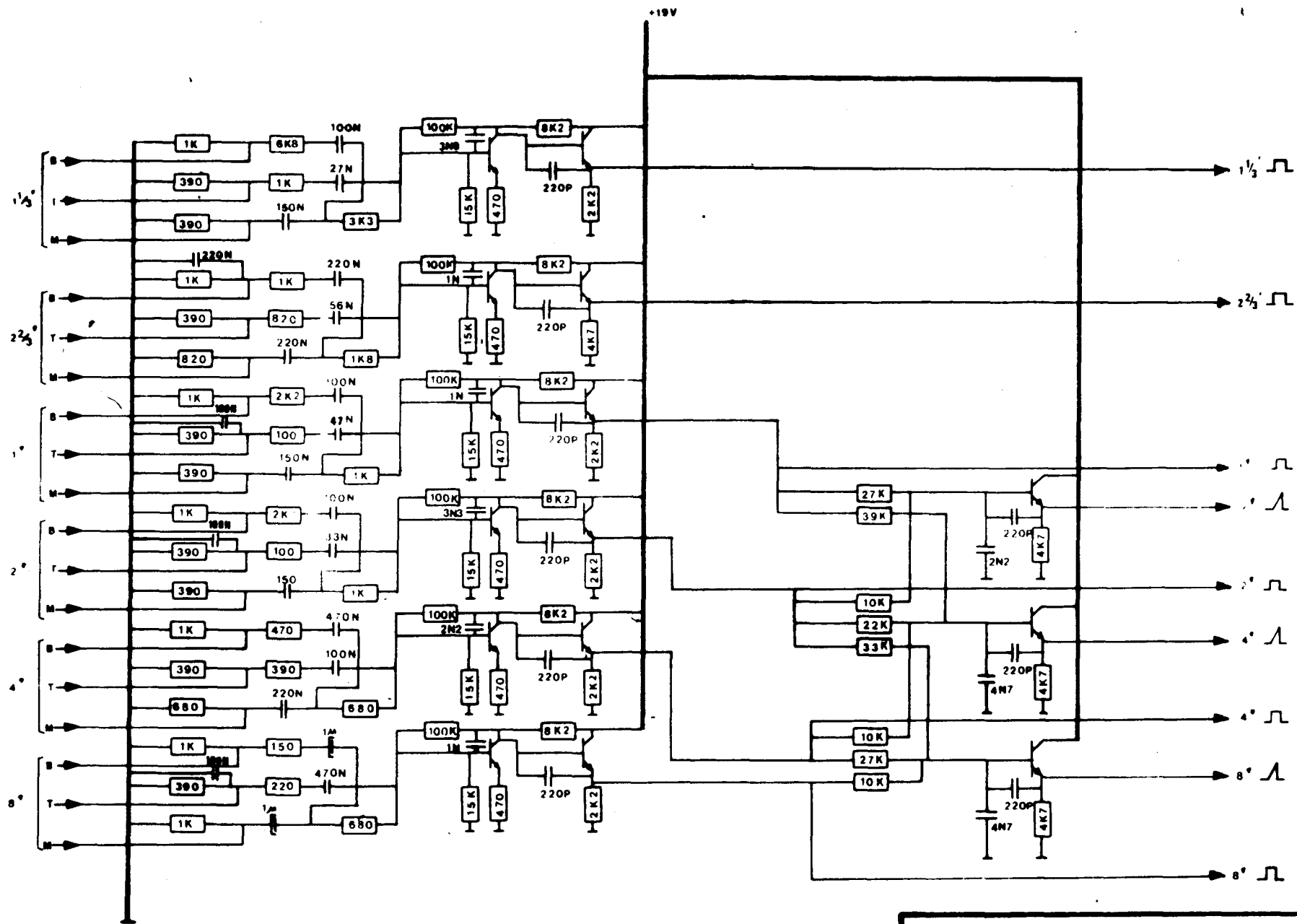
PRE AMP REED MAN I

Drawn	Date	Modified	Date	JOHANNUS ORGAN OPUS 15N
B.J.PETERS	28-7-70	J.Versteegt	20-1-81	
DESIGN		J.Versteegt	7-4-81	
J. VERSTEEBT				
copyright: J. VERSTEEBT		JOHANNUS ORGANBOUW b.v. 7716 AH BOE HOLLAND Tel. 03395-4946		8



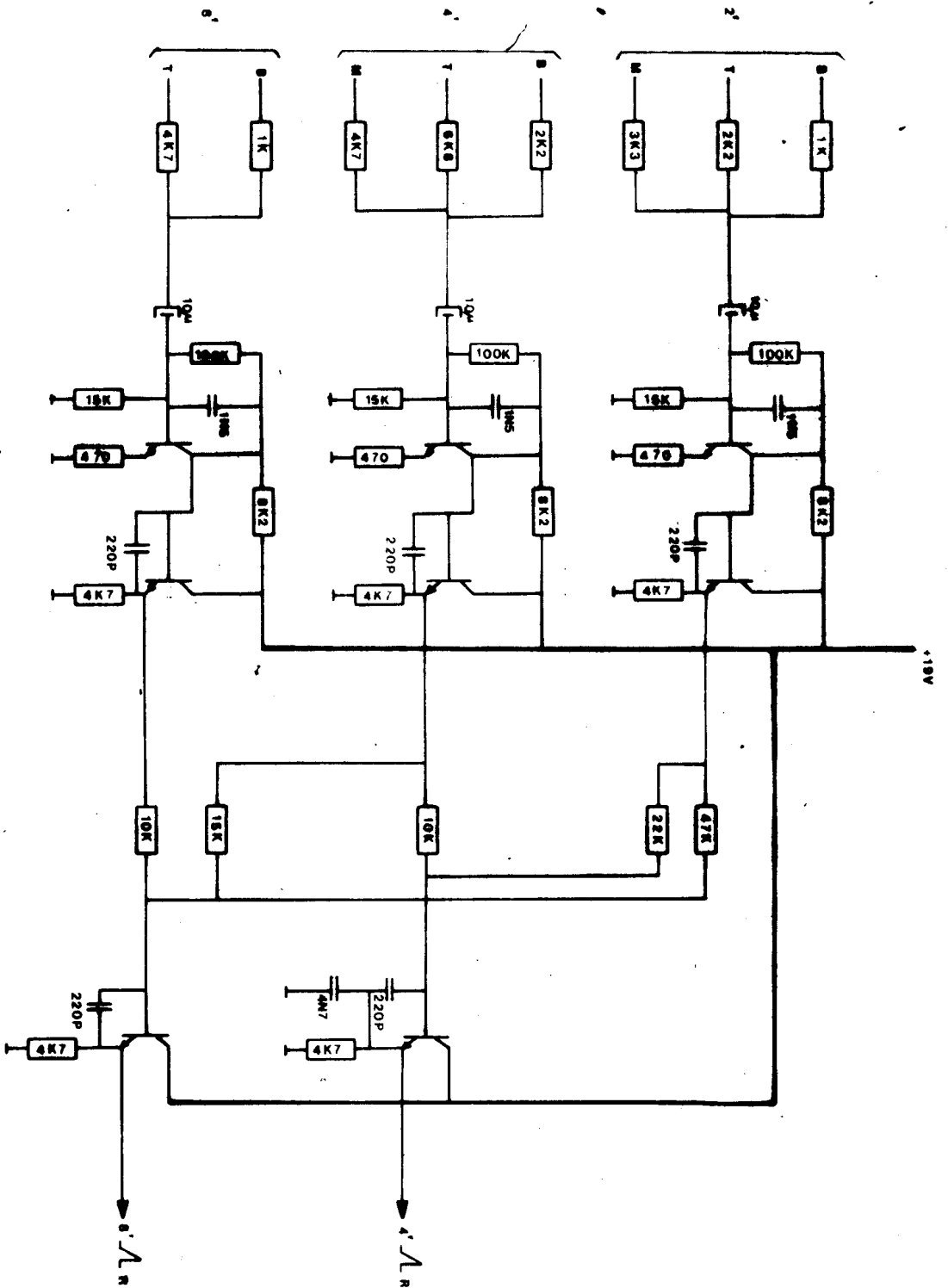
All transistors BC239B/BC549B

PRE AMP REED MAN I				JOHANNUS ORGAN OPUS 15N
Drawn	Date	Modified	Date	
B.J.PETERS	28-7-78	J.Versteegt	20-1-81	
DESIGN		J.Versteegt		7-4-81
J. VERSTEEGT				
copyright: J. VERSTEEGT		JOHANNUS ORGELBOUW b.v.		8716 AM EDE HOLLAND Tel. 06300-19145
				page: 8



AN transistors BC238b/BC549b

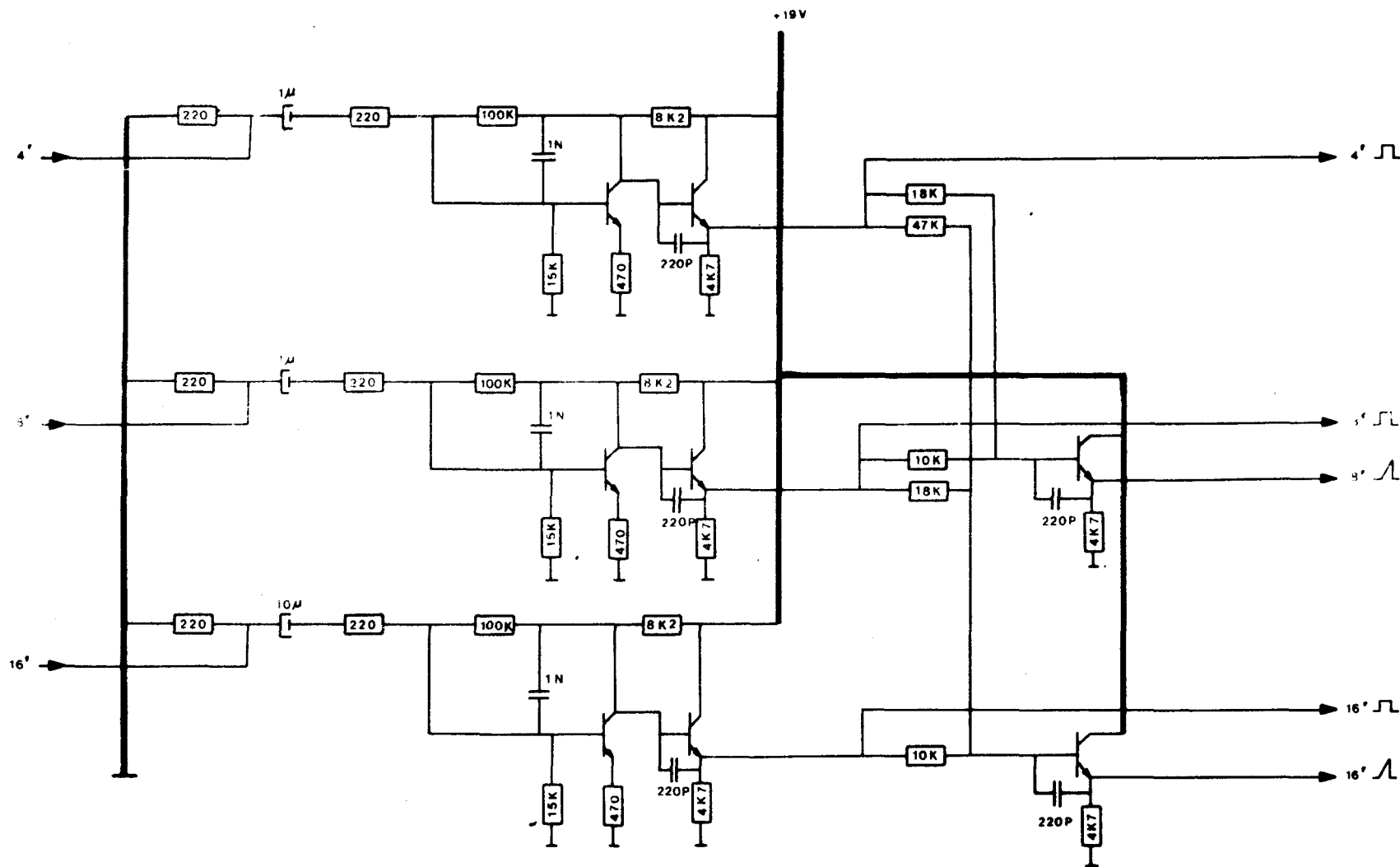
PRE AMPS MAN II				JOHANNUS ORGAN OPUS 15N
Drawn	Date	Modified	Date	
B. J. PETERS	28-7-78			DESIGN J. VERSTEEFT
copyright: J. VERSTEEFT				
JOHANNUS ORGELBOUW b.v.		8745 AM LEEUW HOLLAND Tel. 66360-10145		page: 9



AM Transistors BC238 B/BC948B

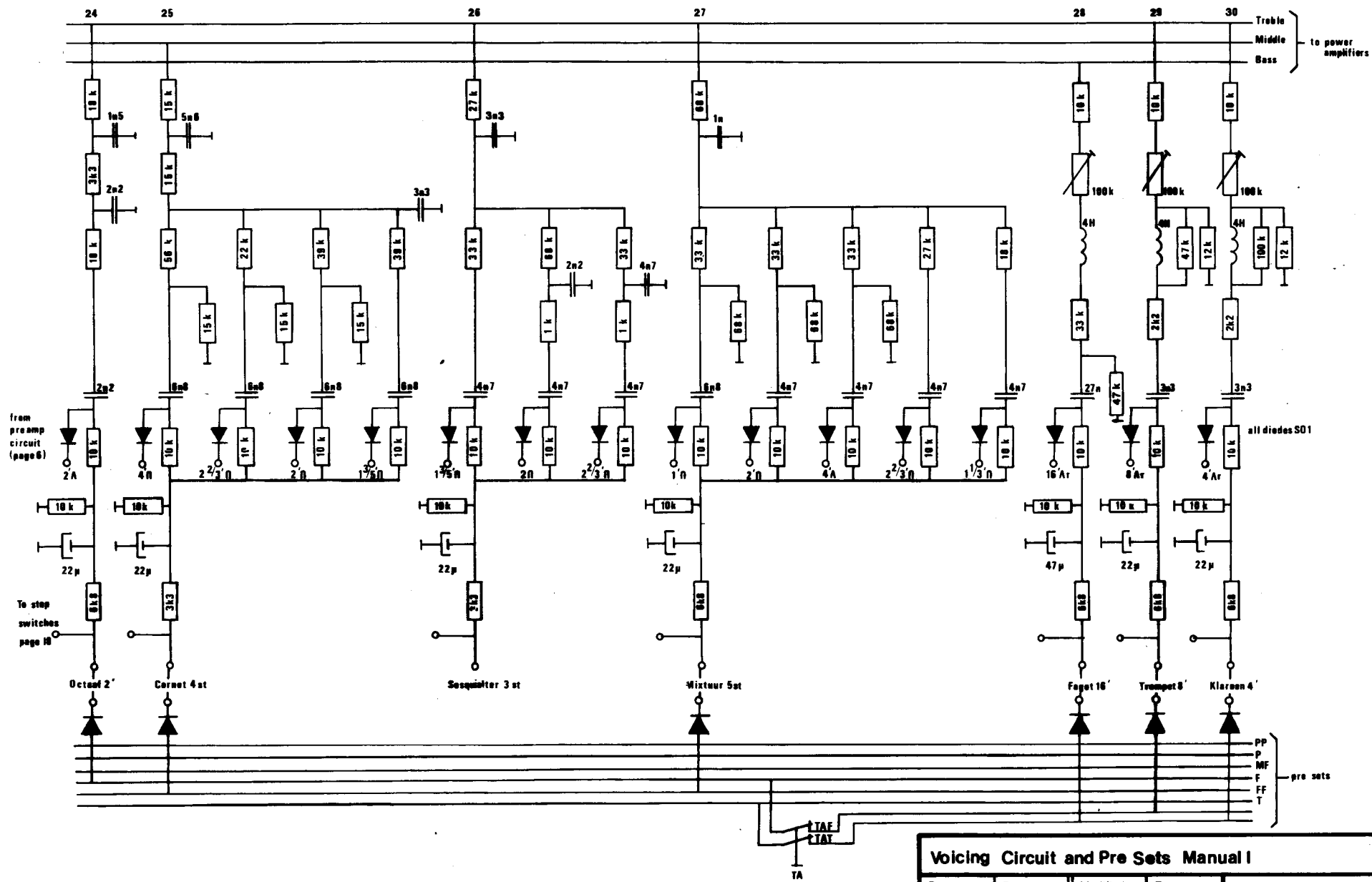
PNE AMP NEEDS MAN II

Design	Opn	Revised	Rev	JOHANNUS ORGAN OPUS 15N
DRAWN	28-7-72			
CHECKED				JOHANNUS ORGAN 14, 00000000
APPROVED				
DATE				14

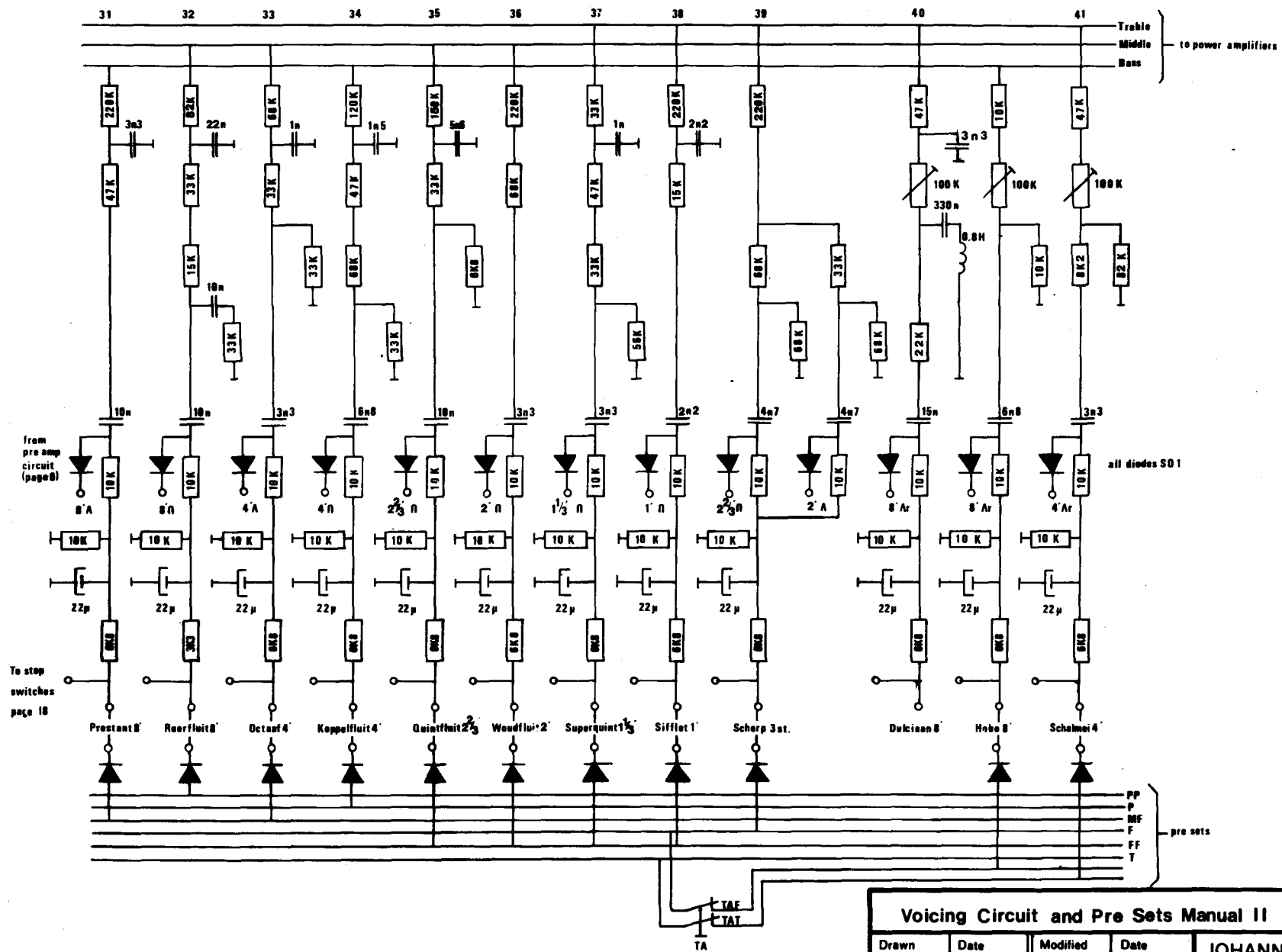


All transistors BC239b/BC549b

PRE AMPS PEDAL			
Drawn	Date	Modified	Date
B.J.PETERS	28-7-79		
DESIGN			
J. VERSTEEGT			
copyright:	JOHANNUS ORGELBOUW b.v.		page: 11
J. VERSTEEGT	8716 AH EDE HOLLAND Tel. 06380-10148		



Voicing Circuit and Pre Sets Manual I			
Drawn	Date	Modified	Date
A. RIETVELD	17-10-1979	J. Versteegt	20-1-81
DESIGN			
J. VERSTEEGT			
copyright:	JOHANNUS ORGELBOUW b.v.		page: 13
		morsestraat 28 6716 AH EDE HOLLAND Tel. 08380-19148	

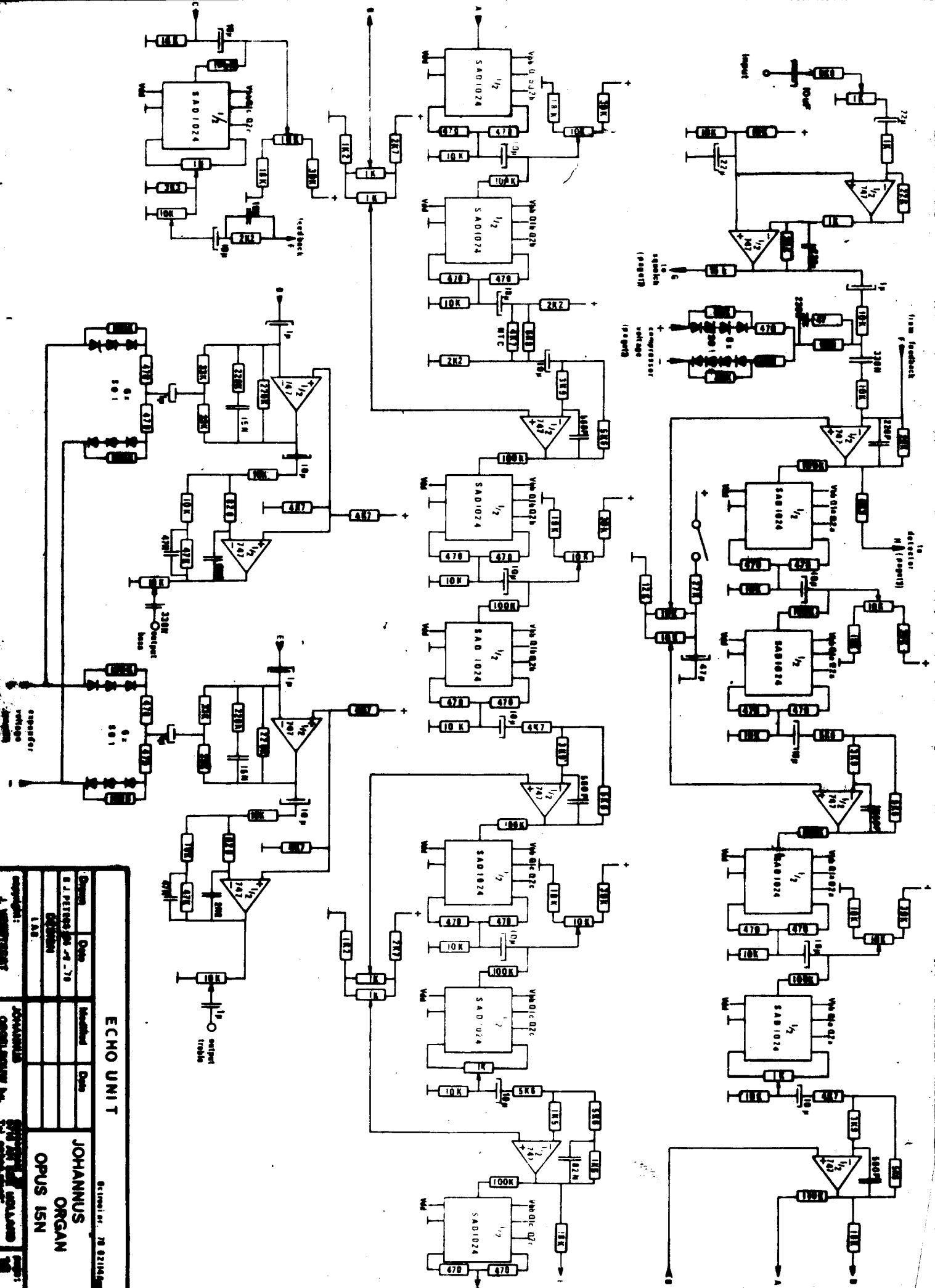


Voicing Circuit and Pre Sets Manual II

Drawn	Date	Modified	Date
A.RIETVELD	18-10-1979	F.K. Bieschop	15-4-80
DESIGN		J.Versteegt	
J. VERSTEEGT			
copyright: J. VERSTEEGT		JOHANNUS ORGELBOUW b.v.	

JOHANNUS
ORGAN
OPUS 15N

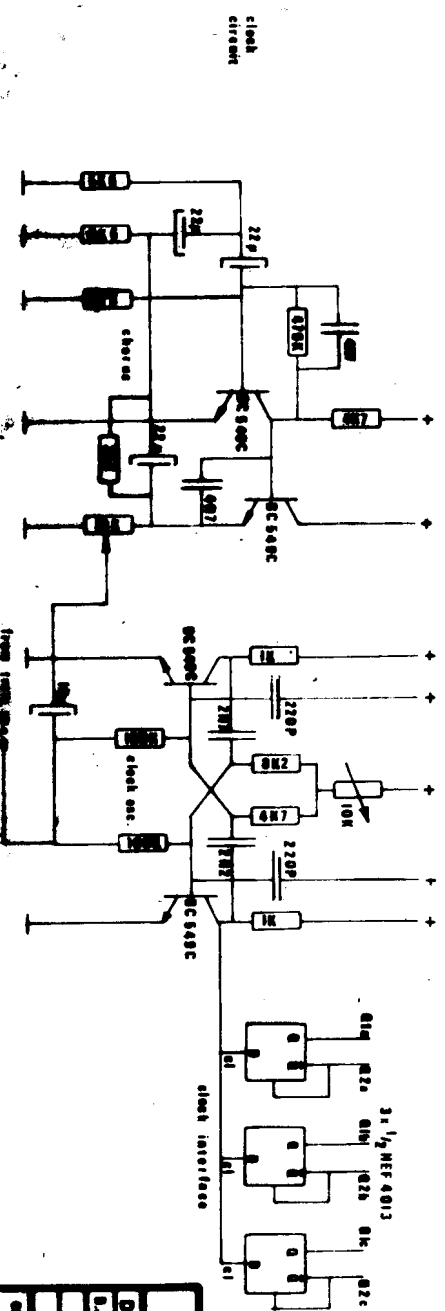
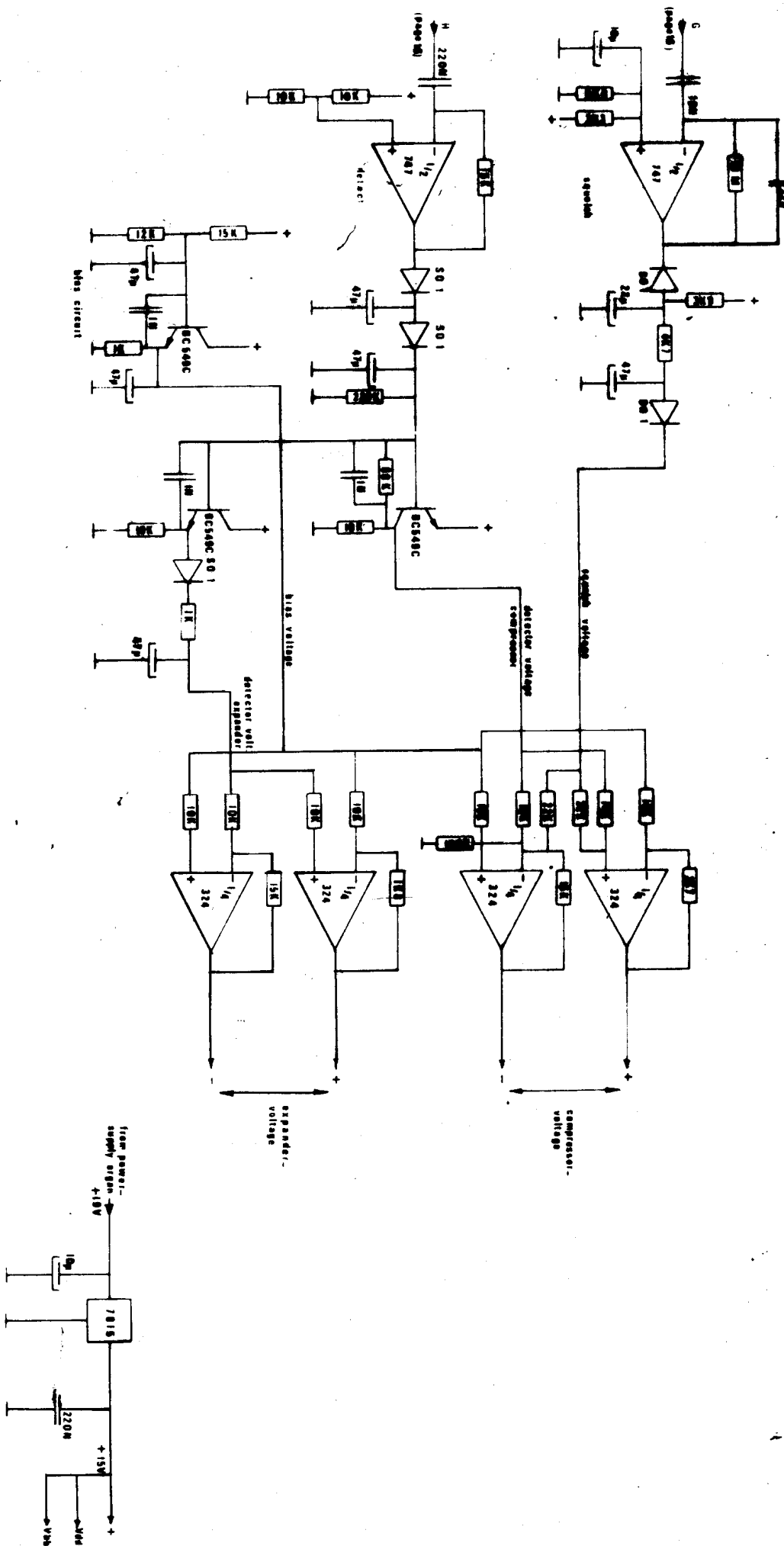
morsestraat 28
6716 AH EDE HOLLAND
Tel. 08380-19148



ECHO UNIT

Serial nr. 78 821448

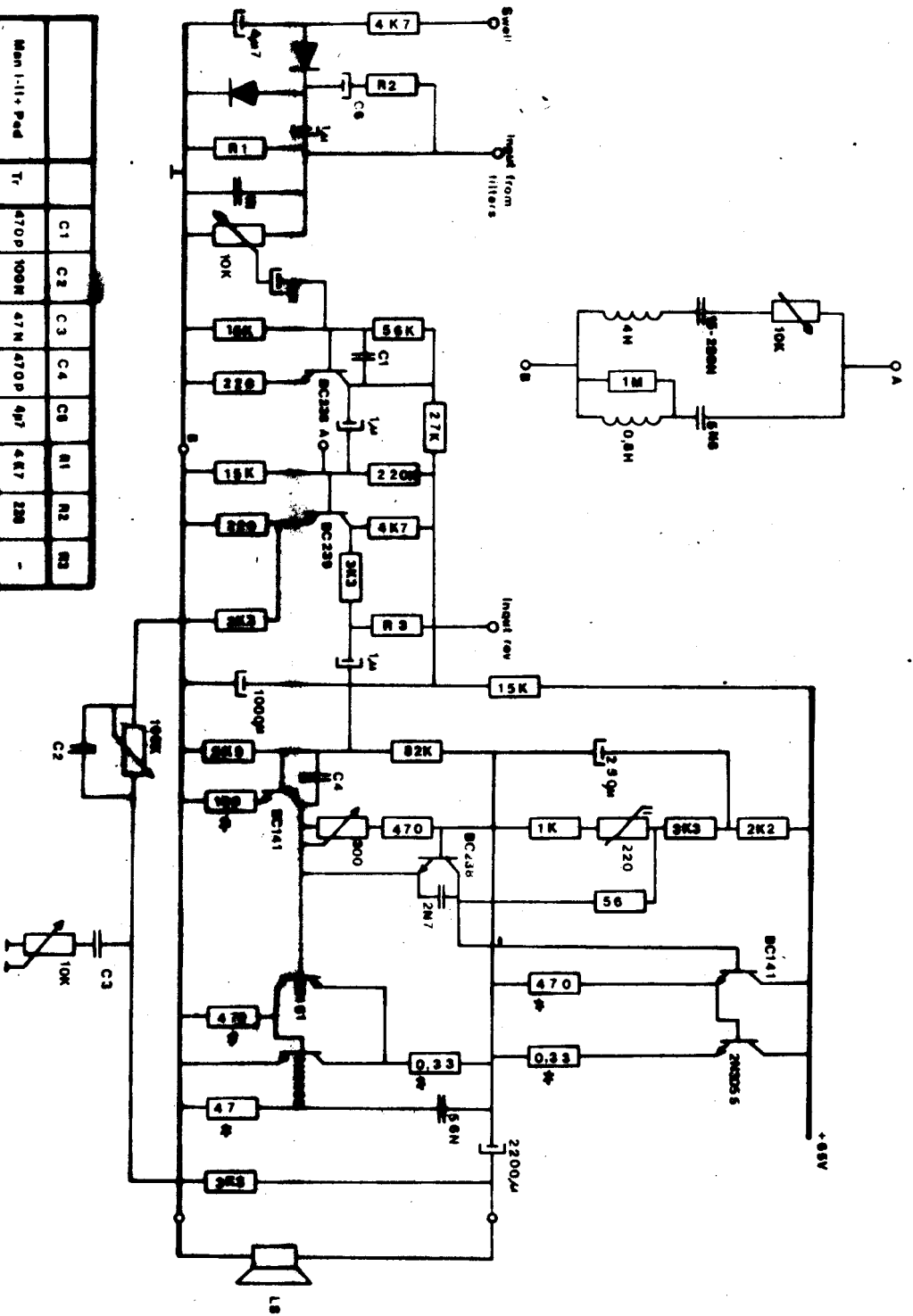
Order	Date	Model	Date
JOHANNUS ORGAN			
OPUS 15N			
JOHANNUS ORGANbouw B.V.			
T.M. Oudekerk			
L. Veldhuis			



CONTROL CIRCUIT OF ECHO UNIT

Design	Date	Revised	Date
B. J. PETERS	28-7-79		
L.A.B.			
JOHANNUS ORGAN			
OPUS 15N			
L. VERSTREEST			

		C1	C2	C3	C4	C8	R1	R2	R3
Manilla Pad		470P	100N	47N	470P	4P7	4K7	220	-
		1M	150N	100N	2M2	4P7	4K7	220	10K
		B	4M7	150N	330M	0M8	-	10K	-



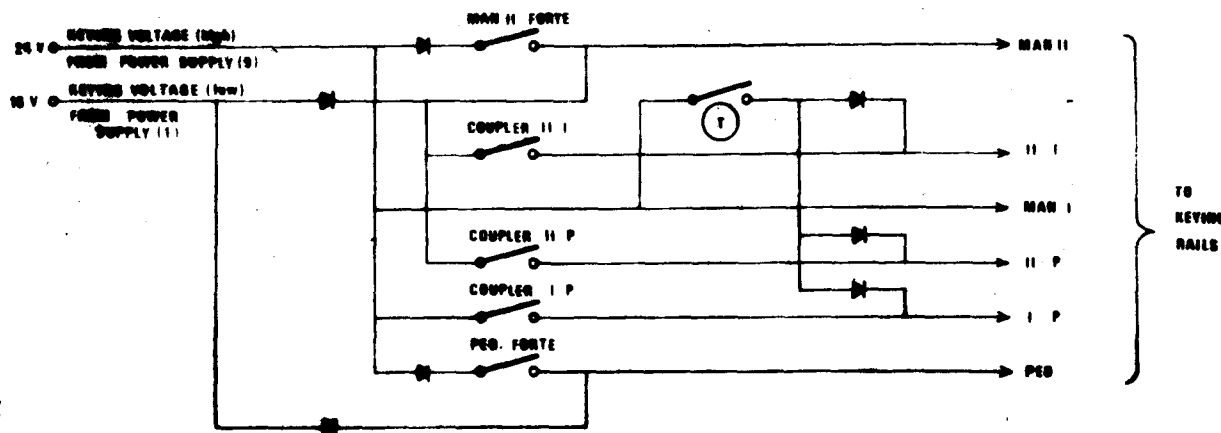
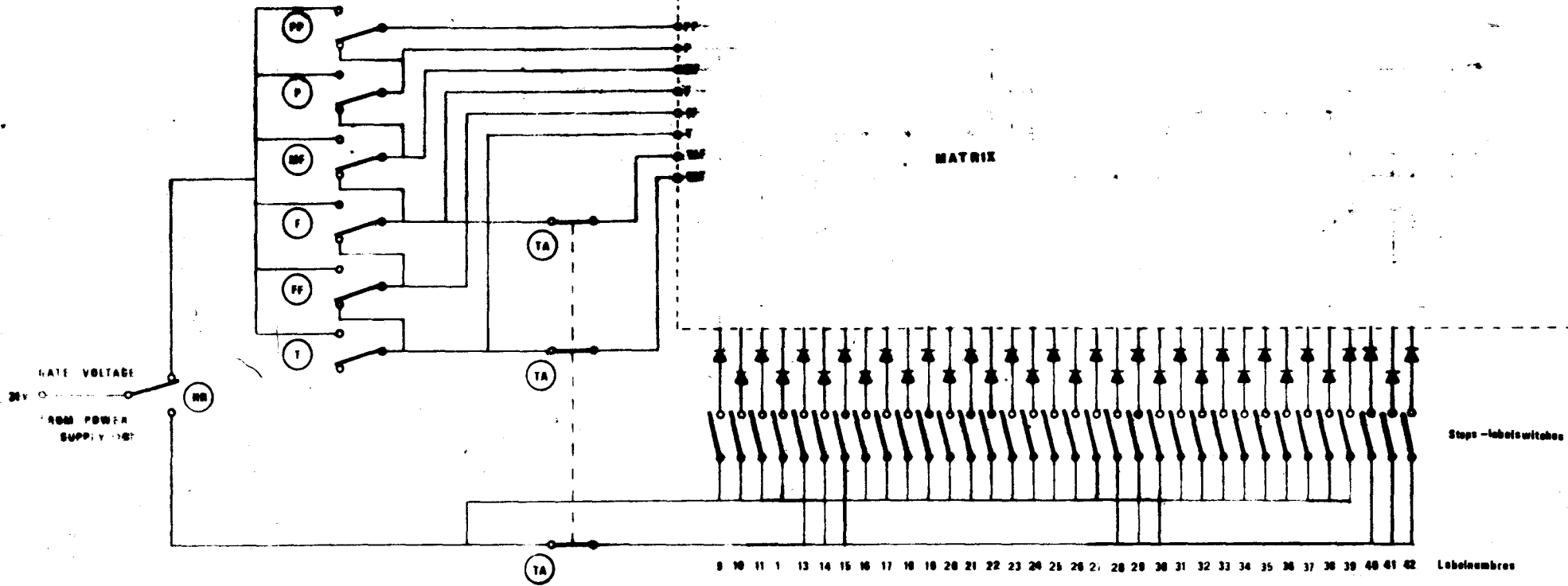
* On ceramic stand off's

AMPL. CIRCUIT

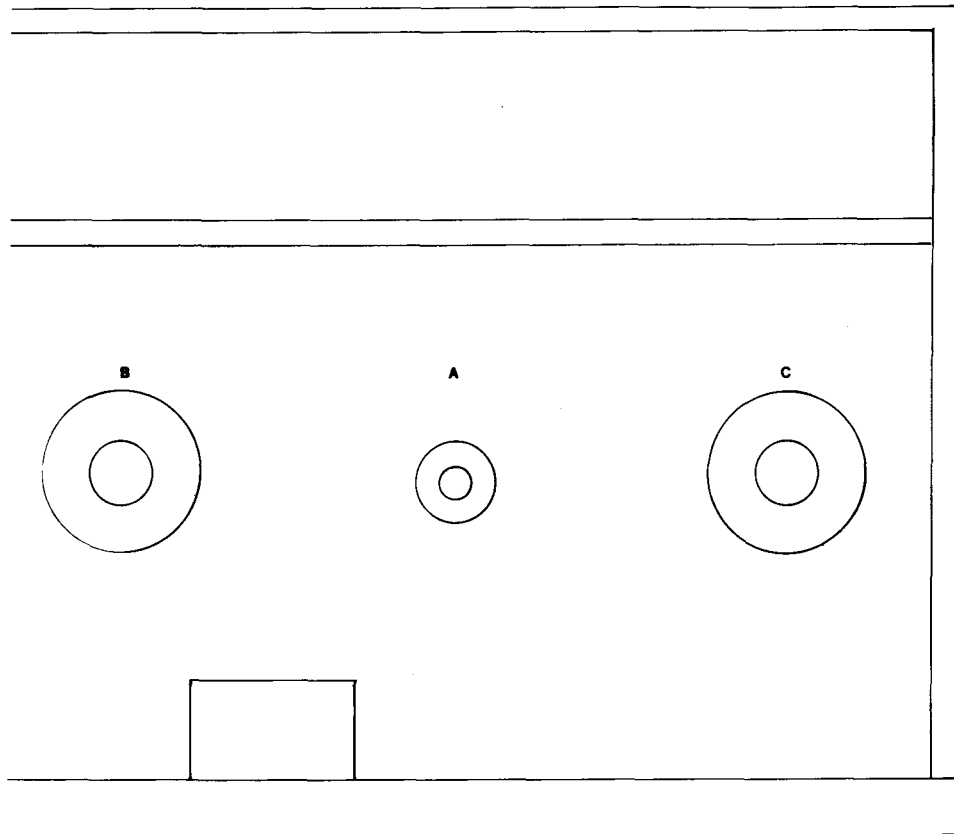
Design	Date	Maker	Date	JOHANNUS ORGAN OPUS 15N
REVISER	28-7-76			
L. VERSTEEGT				JOHANNUS ORGANbouw bv. 14. Oudekerkeplein 1017 CA Amsterdam
A. VERSTEEGT				
				page: 17

PRE SETS

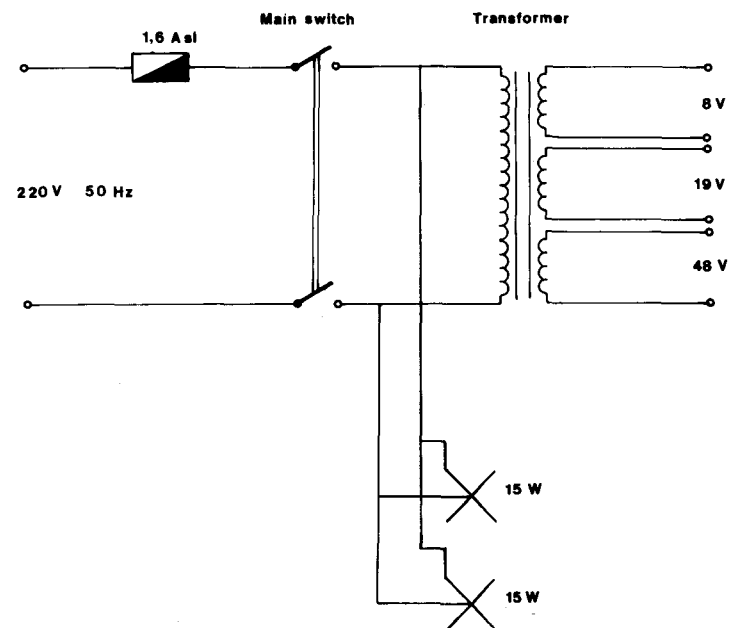
MATRIX



preset and coupler system				JOHANNUS ORGAN OPUS 15N
Drawn	Date	Method	Site	
B. PETERS	25-7-39			
DESIGN				
J. VERHOEFF				
checked:	checked:	checked:	checked:	
A. VERHOEFF	VERHOEFF	VERHOEFF	HOLLAND	

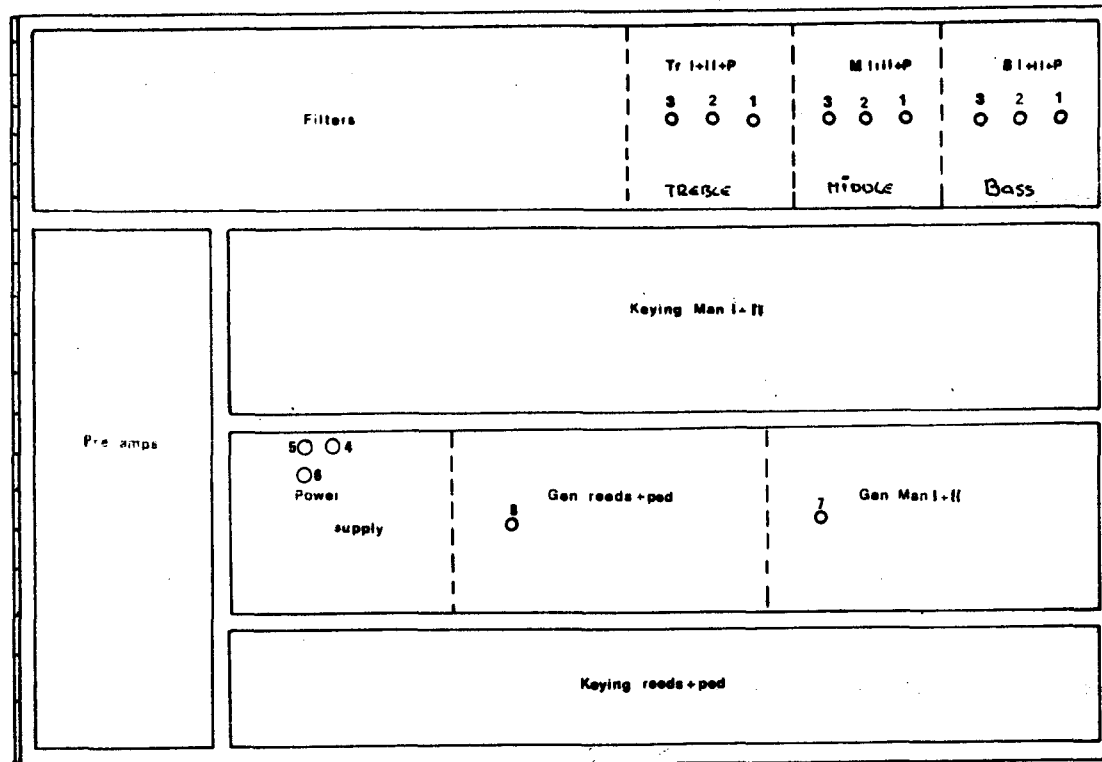


A AD 5061 Treble amplifier
 B AD 12100 Middle "
 C AD 12100 Bass "



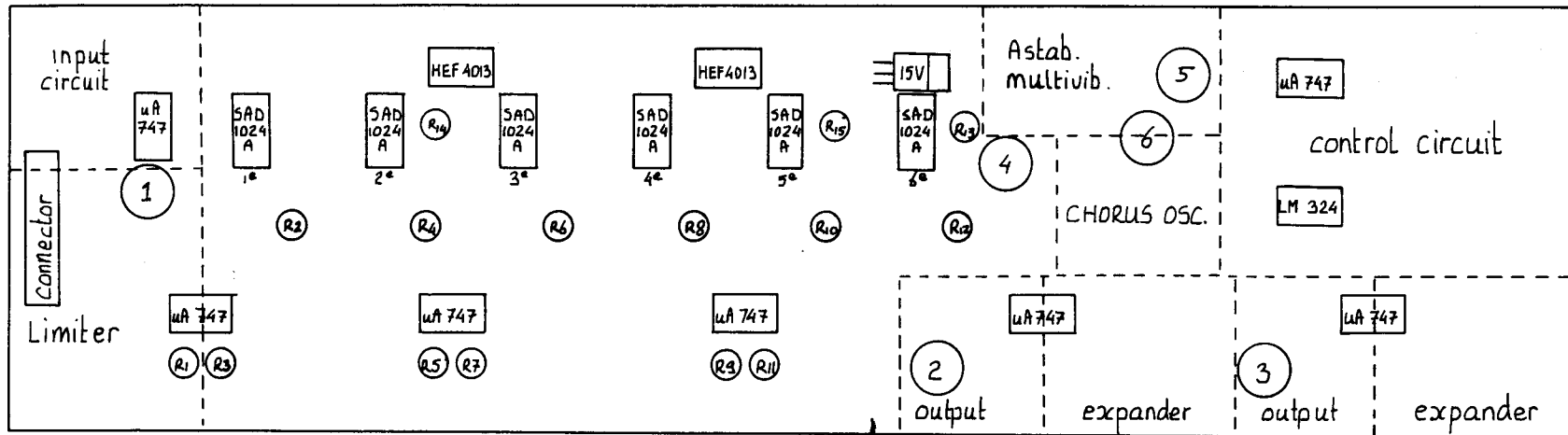
SPEAKERCONNECTION & MAIN SUPPLY

Drawn	Date	Modified	Date	JOHANNUS ORGAN OPUS 15N
J Versteegt	8-9-80			
DESIGN				
J VERSTEEGT				
copyright: J. VERSTEEGT		JOHANNUS ORGELBOUW b.v.		morsestraat 28 6716 AH EDE HOLLAND Tel. 08380-19148*



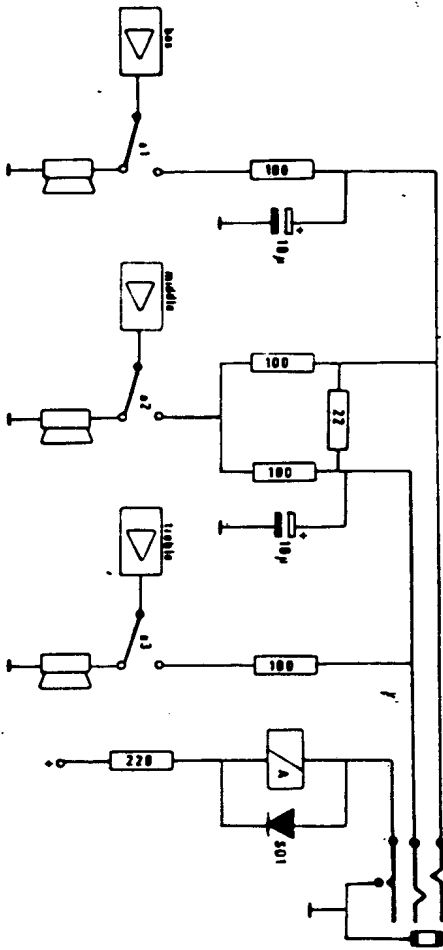
- 1 Tone control bass
- 2 Tone control treble
- 3 Volume control
- 4 Depth Nick
- 5 Depth Tremulant
- 6 Speed Tremulant
- 7 Tuning gen. manual 1+2
- 8 Tuning gen reeds + pedal

CONTROLS				JOHANNUS ORGAN OPUS 15N
Drawn	Date	Modified	Date	
BL PETERS	25-7-78			
DESIGN				
J. VERSTEEGT				
copyright: J. VERSTEEGT		JOHANNUS ORGELBOUW b.v.		8718 AM EDE, HOLLAND Tel. 06300-10140
				page: 20



- 1: input
- 2: output
- 3: output
- 4: feedback
- 5: clock frequency
- 6: chorus depth.

controls electronic delayline.			
Drawn	Date	Modified	Date
T.v. Maner	26.11.79		
DESIGN			
LAB			
copyright: J. VERSTEEGT		JOHANNUS ORGELBOUW b.v.	
		morsestraat 29 6718 AH EDE HOLLAND Tel. 08380-19148	
			page: 21



HEADPHONES CONNECTIONS

Drawn	Date	Modified	Date	JOHANNUS ORGAN
E. M.	16-8-78			OPUS 15N
DESIGN				
A. VERSTEGT				
Copyright: J. VERSTEGT				
JOHANNUS ORGANBOUW B.V.				
P.O. BOX 10148				
1120 AA AMSTERDAM				
Tel. 020-6330-10148				
Page: 22				